

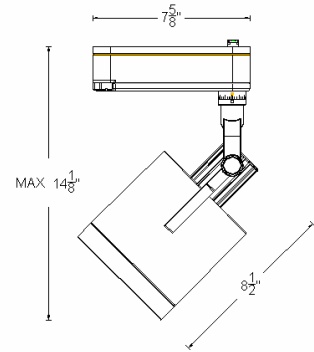
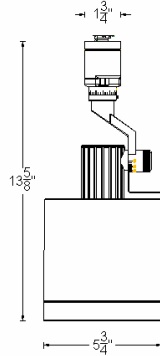


615 South Street
 Garden City, NY 11530
 Tel: 866.788.2100 Fax: 516.393.3084
 www.W2lighting.com

CATALOG NUMBER	TYPE
PROJECT	

VAMP SPOT – METAL HALIDE TRACK HEAD

SERIES HID 238



Ordering Matrix

Model	Wattage	Finish
JHT-HID238	70E=70W	BK = Black WT = White PT = Platinum

Ordering Example (Model-Finish) : JTK-HID238-70E-PT

Product Details

Description: HID Metal Halide track head using PAR 38 HID lamps. Designed for use on W.A.C. J & J2 tracks. May be used on W2 track with converter. Adaptable to other manufacturer's track. (Consult factory for specific brands).

Materials: Die-cast aluminum fixture, cap ring and check ring. Clear 1/8 inch tempered glass lens included.

Ballast: 70W

(Advance)

ANSI #	:	M143 / 139 / 98
Line Current	:	0.64 Amps
Input Power	:	77W
Input Voltage	:	120V
Power Factor	:	> 90%
Sound Rating	:	A

Socket: Ceramic HID Med E26

Aiming: 350° horizontal rotation and 90° vertical aiming with indexing scales. Spring loaded buttons lock to secure the aiming adjustment on horizontal and vertical axis.

Lamping: Re-lamps from the front using HID PAR 38 lamps, 70W. Lamp not included.

Finish: Powder coat paint finish. Available in Black (BK), White (WT), Platinum (PT).

Listing: UL & CUL Listed. Patent Pending.

Specification Features

- Die-cast aluminum fixture with integral indexing scales to assure precise directional adjustment.
- Threaded lens cap holds up to 4 lenses and accessories securely.
- The track head utilizes the second circuit on the J2 style track with the use of the JCLIP.
- The track head may be used on W2 style track with the use of CV-2T-MH (for 120V).
- 5 year product warranty.

Track Adaptor Information

Standard Adaptor
For J style
W2 & W.A.C track



J2 Adaptor
For J2 style
W2 & W.A.C track



JCLIP
Ordered when using track
heads on 2nd circuit of J2



Converter Information

CV-2T-MH On 120V W2 style track



Compatible Accessories –USE SIZE 38

• **Dichroic Lens**

LENS-38-DIC-COLOR

• **UV Filter**

LENS-38-UVF

• **IR Filter**

LENS-38-IR

• **UV- IR Filter**

LENS-38-UI

• **Beam Elongator**

LENS-38-BEL

• **Beam Soft Lens**

LENS-38-BSL / LENS-38-SPR

• **Block Screen**

LENS-38.3-BS/ LENS-38.4-BS/ LENS-385-BS

• **Hood (for wall-washing)**

HOOD-38-BK

• **Cross Louver**

LENS-382-CRL

• **Snoot**

LENS-38-SNOOT

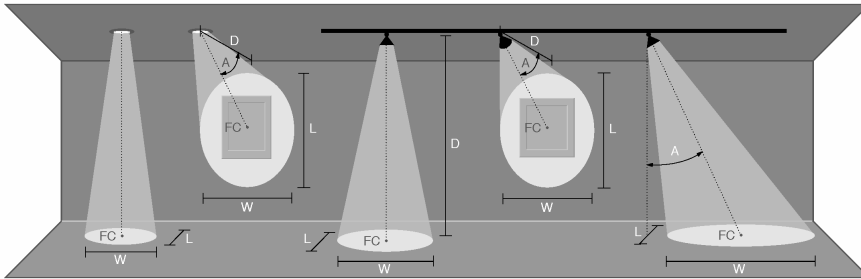
• **Honeycomb Louver**

LENS-382-HCL

• **Barn Door**

TL-38-BD

Photometry

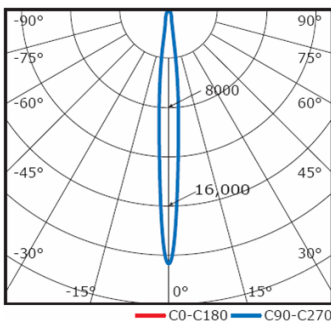


D Distance To Fixture From Wall Or Floor
FC Initial Footcandle Level At Center Of Beam
L Beam Length (where candlepower drops to 50% of maximum)
W Beam Width (where candlepower drops to 50% of maximum)

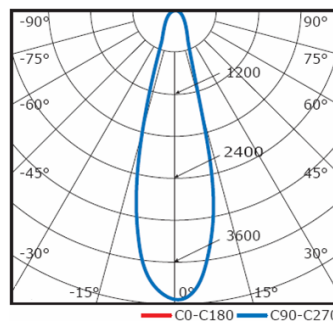
JTK-HID238S			
0° Aiming Angle			
D(ft)	FC	W	L
6	625	1	1
9	278	1.6	1.6
12	156	2.1	2.1
15	100	2.6	2.6
45° Aiming Angle			
D(ft)	FC	W	L
6	221	1.5	2.1
9	98	2.2	3.2
12	55	3.0	4.2
15	35	3.7	5.3

JTK-HID238N			
0° Aiming Angle			
D(ft)	FC	W	L
6	128	3.2	3.2
9	57	4.8	4.8
12	32	6.4	6.4
15	20	8.0	8.0
45° Aiming Angle			
D(ft)	FC	W	L
6	45	4.5	6.9
9	20	6.8	10.4
12	11	9.1	13.9
15	7	11.4	17.3

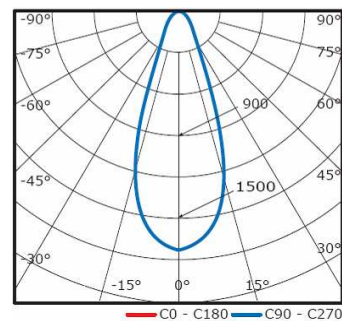
JTK-HID238F			
0° Aiming Angle			
D(ft)	FC	W	L
6	49	6.2	6.2
9	22	9.4	9.4
12	12	12.5	12.5
15	8	15.6	15.6
45° Aiming Angle			
D(ft)	FC	W	L
6	17	8.8	17.1
9	8	13.3	25.7
12	4	17.7	34.3
15	3	22.1	42.8



70W CBCP 22500



70W CBCP 4608



70W CBCP 1764